



# Fabric Booth



# Table of Contents

Safety . . . . .	2	Sliding Window . . . . .	11
Introduction . . . . .	3	Shelf . . . . .	12
Installation . . . . .	4	AC Retrofit Kit . . . . .	13
Position the Booth . . . . .	4	Maintenance . . . . .	14
Stabilize the Booth . . . . .	5	Product Warranty . . . . .	14
Accessories . . . . .	11		

---

## Safety

To help you recognize critical information, we use the following symbols throughout this manual. Please pay particular attention when these symbols are used.

**⚠ WARNING:** A Warning alerts you to a situation that might cause serious injury or damage if instructions are not followed.

**⚠ CAUTION:** A Caution tells how to prevent damage to equipment or avoid a situation that might cause minor injury.

**NOTE:** A Note is information relevant to the product or process.

Before using any Canvas Craft fabric booth or accessories, read and understand all safety and instructional materials for your products. This section has important information for you to understand to prevent equipment problems and keep users safe.

**⚠ WARNING:** ALL personnel who operate or maintain this equipment MUST read and understand this manual. Care should be taken to ensure that the safety requirements for using and maintaining this equipment are met.

**⚠ WARNING:** Be aware of and adhere to ALL local building and fire codes, ordinances, and safety standards prior to installing, using, or servicing this equipment.

**⚠ WARNING:** Carefully follow Canvas Craft's instructions for stabilizing the Fabric Booth on page 5. The Fabric Booth is designed to be anchored securely before use.

**⚠ WARNING:** If using the Sandbag Box option for stabilization, a MINIMUM of 280 pounds is required in the box.

**⚠ WARNING:** Keep all flame and heat sources away from this tent fabric. The Fabric Booth is made with flame-resistant fabric which meets CPAI-84 and/or NFPA-701 specifications. It is not fireproof. The fabric will burn if left in continuous contact with any flame source. Contact Canvas Craft for recommended portable heaters to use with this product.

**⚠ WARNING:** The application of any foreign substances to the tent fabric may render the flame-resistant properties ineffective. Visit the Maintenance section of this manual on page 14 or contact Canvas Craft for recommended cleaning and maintenance products.

**⚠ CAUTION:** Some heat sources burn oxygen and emit carbon dioxide. Use caution with these heaters and vent properly, or use an electric heater.

**⚠ CAUTION:** Remove snow from the Fabric Booth as needed to prevent added strain to the equipment.

**⚠ CAUTION:** The Fabric Booth weighs between 110-130 pounds. Always use at least two people to move the booth.

**NOTE:** It is recommended to secure the Fabric Booth door with the interior lock when in use. The door also can be secured with a user-supplied lock on the exterior when it is not in use. This prevents the door from opening during high winds.

# Introduction

The Fabric Booth by Canvas Craft is designed to protect personnel from outside elements like the weather like sun, rain, wind, and snow. This manual describes the installation, operation, and maintenance of the Fabric Booth and its accessories.

The Fabric Booth consists of a welded aluminum frame and a marine-grade, anti-microbial, flame-retardant fabric cover. Canvas Craft offers two Fabric Booth size options: Large (CC4046SF) and Small (CC2741SF). Both arrive pre-assembled with the fabric attached semi-permanently to the frame. They also include high visibility reflective markers on all four sides, a built-in cord access, a door handle, door kick plates, and a door lock plate. Fabric Booths are ready to use once stabilized.

The two options to stabilize the Fabric Booth are found on page 4. All Fabric Booths include a concrete anchor kit. The Sandbag Box is an alternative option to the concrete anchor kit that allows for temporary installations.

The Fabric Booth can be configured with several accessories. The Large Fabric Booth already includes a 10-inch built-in shelf, but an optional removable shelf is available for the Small Fabric Booth, detailed on page 12. Both sizes include one sliding window with the option for an additional sliding window on both sides. The booth can also be retrofitted with a port for an air-conditioning unit.

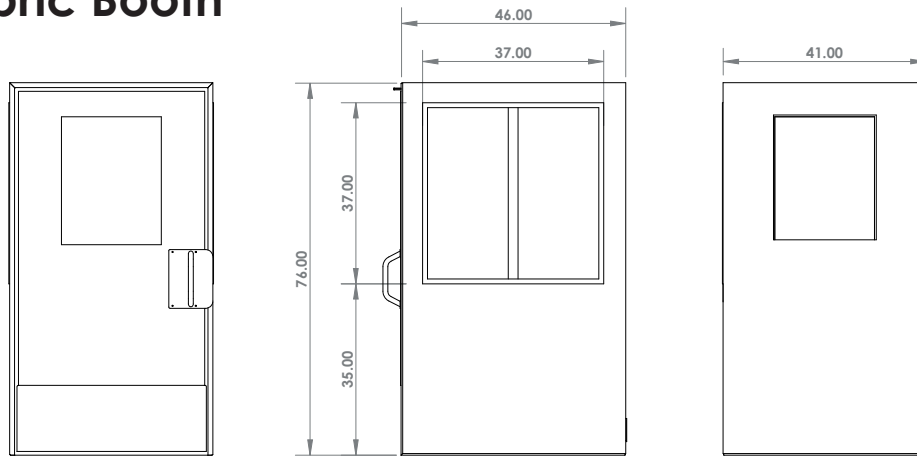
## Fabric Booth Contents:

PART NUMBER	DESCRIPTION	QUANTITY
12-0313-01-A	Fabric Booth	1
25-0010-01	Concrete Anchor Kit	1

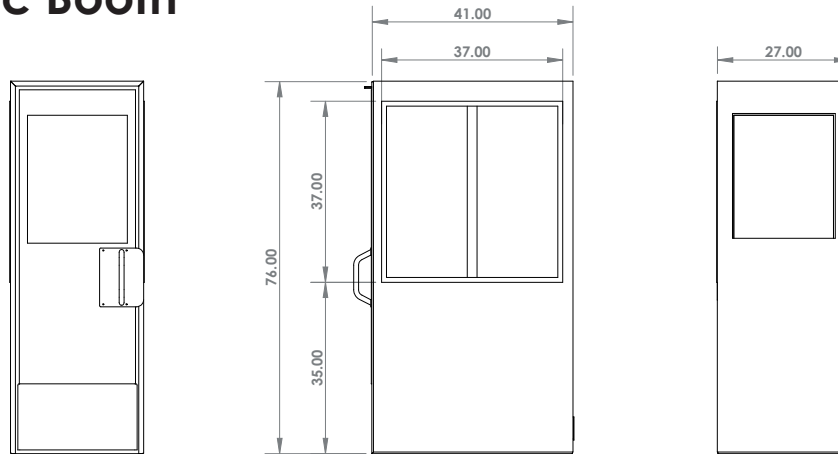
## Optional Accessories:

- Sandbag Box Kit
- Second Sliding Window
- Shelf (Included with Large Fabric Booth)
- AC Retrofit Kit

# Large Fabric Booth



# Small Fabric Booth



# Installation

Please read the installation instructions fully before setting up your Fabric Booth. The Fabric Booth comes pre-assembled and is ready to use once stabilized.

**⚠ WARNING:** You must stabilize your Fabric Booth with one of the methods detailed on pages 5-8 before use.

# Position the Booth

**NOTE:** The base Small Fabric Booth weighs over 110 pounds. Always use at least two people to move the Fabric Booth.

**⚠ CAUTION:** Use sharp objects with caution to avoid cutting the booth fabric.

1. Remove the Fabric Booth from the packaging.
2. Choose the location where the booth will be located. It must be able to sit flat and level on the ground without any intervening materials underneath.
3. Position the booth in the chosen location.

# Stabilize the Booth

There are three options to stabilize the Fabric Booth. A concrete anchor kit is included in the Fabric Booth, which allows for stabilization on concrete. Additional supplies can be purchased by the user to anchor the booth on asphalt. Canvas Craft also offers a Sandbag Box Kit option to stabilize the booth, which allows for a more temporary installation, found on page 9.

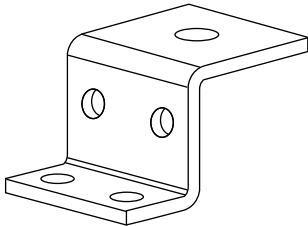
## Concrete Anchor Kit

The concrete anchor kit is designed to stabilize the Fabric Booth in heavy winds. It allows the user to anchor the Fabric Booth into either concrete or asphalt. It also leaves behind no protrusions if the booth is moved.

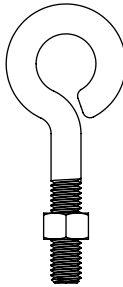
There are separate installation instructions for concrete and asphalt anchoring. Please read the right instructions fully before installation.

### Concrete Anchor Kit Contents:

PART NUMBER	DESCRIPTION	QUANTITY
17-0005-01-A	Z-Bracket	6
9489T32	Routing Eyebolt with Nut - Not for Lifting	6
97083A510	Steel Female - Threaded Anchor - for Concrete Only	6
SCREW	Self-Tapping Screw	12
TOOL	Setting Tool	1



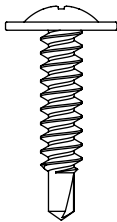
Z-Bracket



Routing Eyebolt with Nut



Steel Female-Threaded Anchor



Self-Tapping Screw



Setting Tool

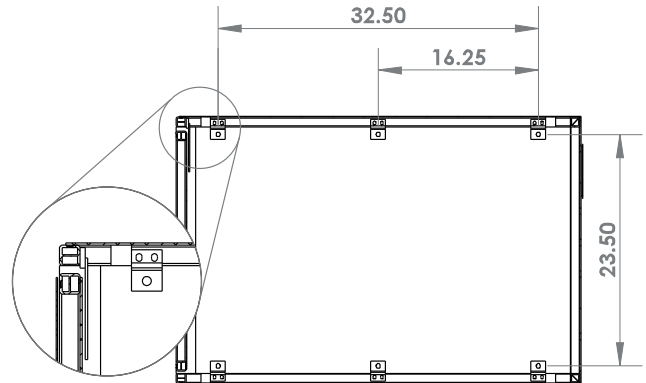
# Concrete Anchor Installation

## Required Supplies:

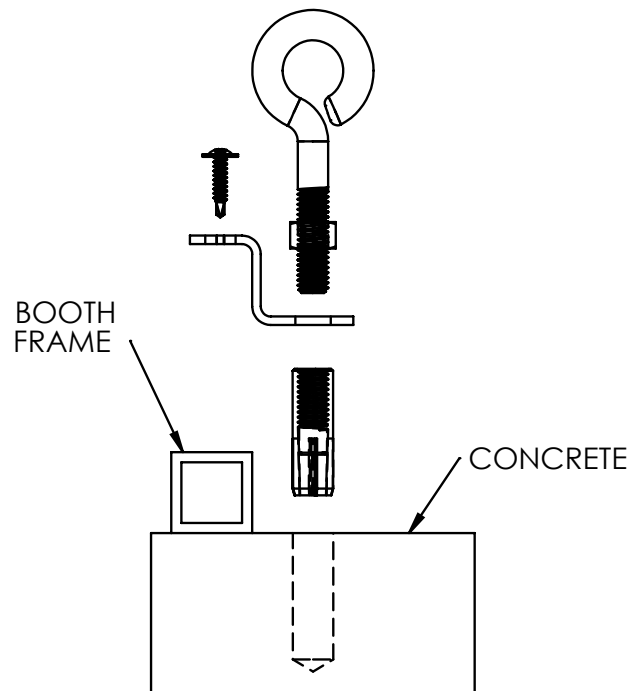
1. 9/16-Inch Box Wrench
2. 1/2-Inch Masonry Bit
3. Hammer Drill
4. Extension Cord
5. Marking Tool (Pencil, Marker, etc.)
6. Hammer

1. Position the Fabric Booth on a concrete surface in the desired location.
2. Go inside the booth. Measure 16.25 inches from the center of the aluminum frame on both the left and right sides of the booth, as shown. Place the Z-brackets at these center, left, and right locations. Both sides should have three Z-brackets 16.25 inches apart.

**NOTE:** The dimensions in the image apply for the small booth but the measurements provided in the instructions apply for both sizes.



3. Mark the locations of the Z-bracket holes on the concrete with a marking tool.
4. Remove the Z-brackets from the booth frame. Move the Fabric Booth to the side to access the marked locations on the concrete.
5. Drill the marked location with a 1/2-inch masonry bit and hammer drill. Do not drill deeper than anchor depth (1.58 inches). The provided anchors should sit flush with the concrete.
6. Insert the provided steel female-threaded anchors into the drilled holes.
7. Set the anchors with the provided setting tool. Strike the setting tool with a hammer until the anchors are secure in the concrete.
8. Position the Fabric Booth over the anchors.
9. Re-position the Z-brackets over the anchors and booth frame.
10. Tightly screw the provided routing eyebolts with nuts into the anchors through the Z-Brackets.
8. Tighten the nut on the eyebolt with a 9/16-inch wrench.
9. Lastly, fix each Z-bracket to the booth frame with the provided self-tapping screws.



# Asphalt Anchor Installation

**NOTE:** The asphalt anchors and adhesive required for the asphalt anchor installation must be ordered separately through a local distributor or manufacturer. Follow the distributor's or manufacturer's instructions for installing anchors in various weather conditions.

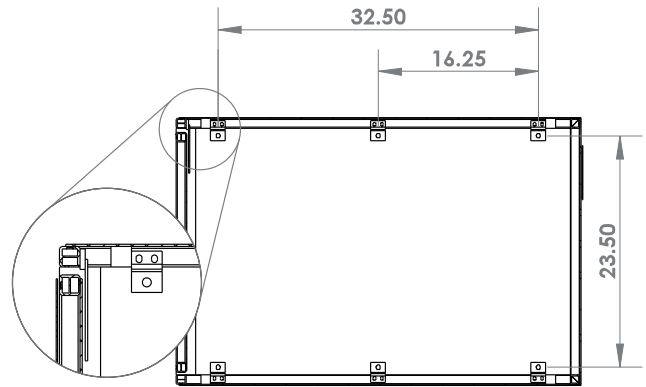
## Required Supplies:

- |                             |                         |   |
|-----------------------------|-------------------------|---|
| 1. SP10-38 Anchors          | 5. Hammer               | 9. Plastic Containers and Mixing Sticks |
| 2. EPX3 Adhesive Tube       | 6. 9/16-Inch Box Wrench | 10. Caulk Gun for EPX3 Adhesive         |
| 3. 1-Inch Masonry Drill Bit | 7. Vacuum               | 11. Marking Tool (Pencil, Marker, etc.) |
| 4. Hammer Drill             | 8. Nylon Tube Brush     |   |

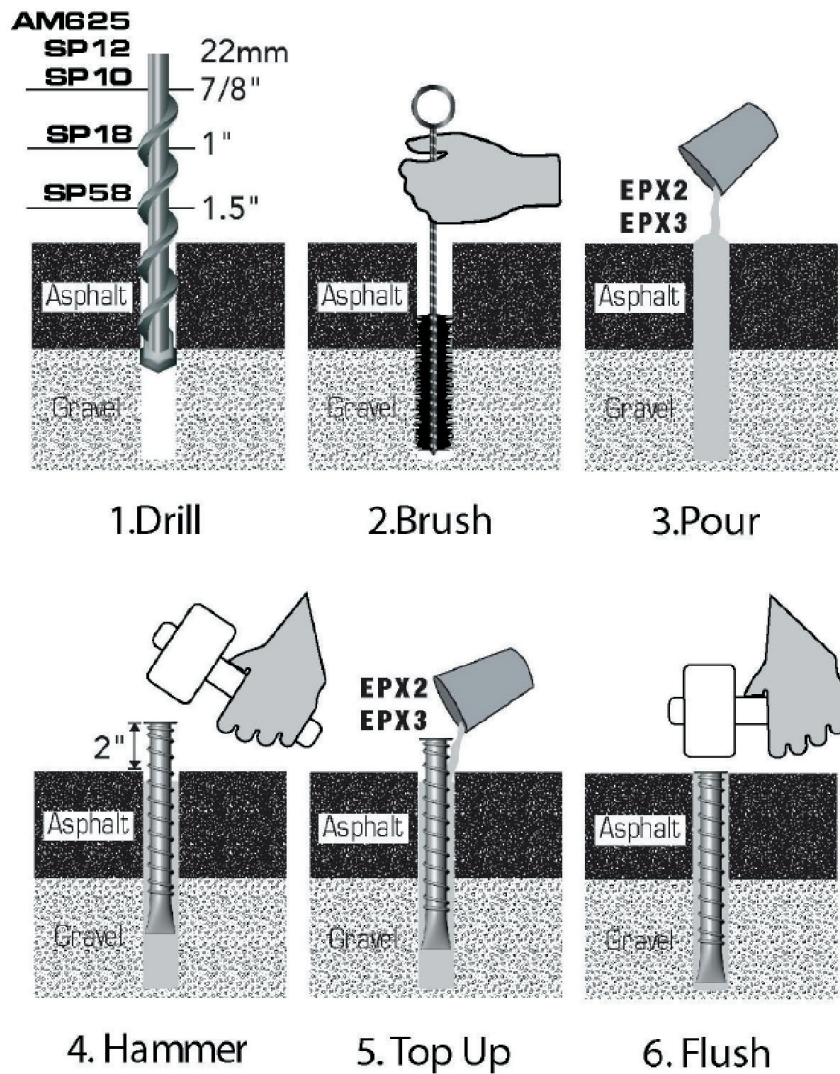
1. Position the Fabric Booth on an asphalt surface in the desired location.
2. Go inside the booth. Measure 16.25 inches from the center of the aluminum frame on both the left and right sides of the booth, as shown. Place the Z-brackets at these center, left, and right locations. Both sides should have three Z-brackets 16.25 inches apart.

**NOTE:** The dimensions in the image apply for the small booth but the measurements provided in the instructions apply for both sizes.

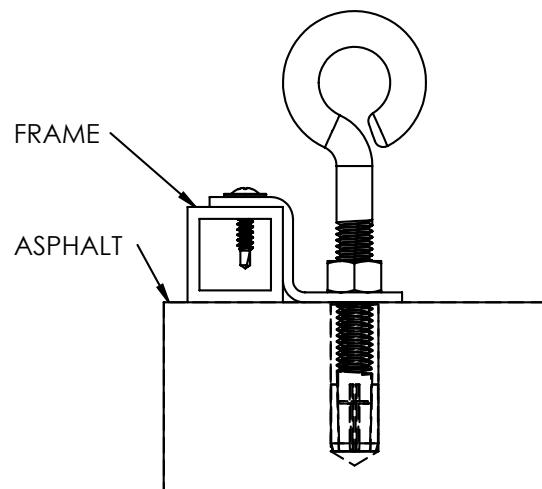
3. Mark the locations of the Z-bracket holes on the asphalt with a marking tool.
4. Remove the Z-brackets from the booth frame. Move the Fabric Booth to the side to access the marked locations on the asphalt.



5. Drill the marked location with a 1-inch masonry bit and hammer drill. Do not drill deeper than anchor depth. The user supplied anchors should sit flush with the asphalt.
6. Remove any debris from the drilled holes with a nylon tube brush and vacuum.
7. Use a caulk gun to fill each hole with user supplied EXP3 adhesive.
8. Insert SP10-38 anchors into each hole. Hammer the anchors in and leave 2 inches outside each hole.
9. Add more EXP3 adhesive to the hole if required.
10. Finish hammering the SP10-38 anchors so that they are flush with the asphalt.



11. Position the Fabric Booth over the anchors.
12. Re-position the Z-brackets over the anchors and booth frame.
13. Tightly screw the provided routing eyebolts with nuts into the anchors through the Z-brackets.
14. Tighten the nut on the eyebolt with a 9/16-inch box wrench.
15. Lastly, fix each Z-bracket to the booth frame with the provided self-tapping screws.





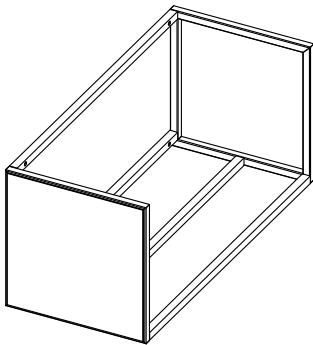
# Sandbag Box Kit

The sandbag box is an alternative option to the concrete anchor kit. It can be attached to the outside of the Fabric Booth to provide stabilization in heavy winds.

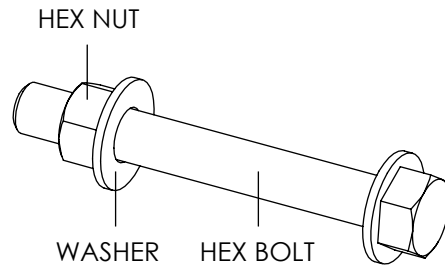
**⚠ WARNING:** The sandbag box requires a minimum of 280 pounds of added weight to safely anchor the Fabric Booth.

## Sandbag Box Kit Contents:

PART NUMBER	DESCRIPTION	QUANTITY
Preferred Narrow FW 0.375	Washer	8
HBOLT 0.3750-16x3x1-N	Hex Bolt	4
HNUT 0.3750-16-D-N	Hex Nut	4
12-0359-02	Sandbag Box (Small)	1
12-0360-02	Sandbag Box (Large)	1



Sandbag Box



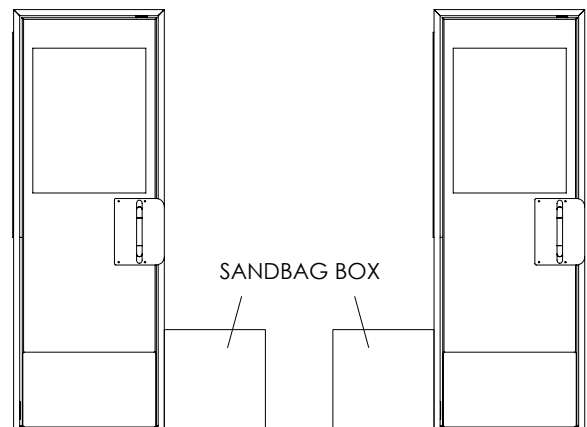
Washer, Hex Bolt, and Hex Nut

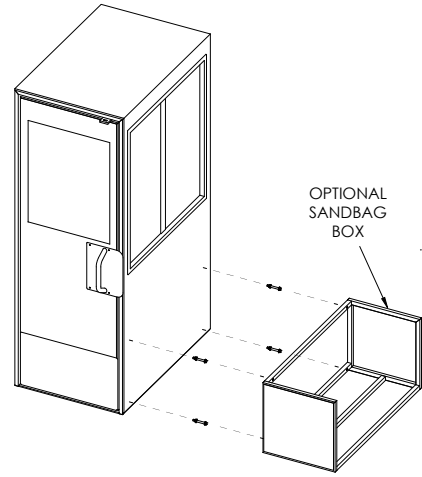
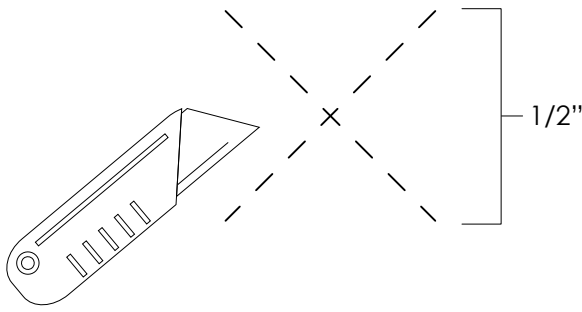
# Sandbag Box Installation

## Required Supplies:

1. 1/2-Inch Wrench
2. Razor Blade
3. 280 Pounds of Weight

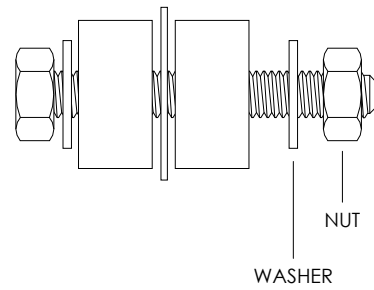
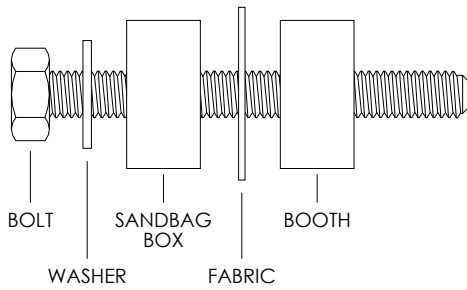
1. Decide which side to attach the Sandbag Box to the Fabric Booth. Make sure the Fabric Booth and sandbag box will sit flat and level on the ground.
2. Locate the four bolt hole locations on the side of the Fabric Booth that you will attach to the sandbag box.





3. Use a razor blade to cut a 1/2-inch X-shaped hole into the fabric at each bolt hole location.

4. Align the mounting holes on the sandbag box with the bolt holes on the Fabric Booth.



5. Put an included washer around an included hex bolt. Insert the bolt and washer into a sandbag box mounting hole, fabric hole, and Fabric Booth bolt hole.

6. Access the other end of the bolt on the inside of the booth. Loosely put on the included washer and hex nut.

- 7. Repeat steps 5 and 6 for the three remaining bolts.
- 8. Once all four bolts are loosely secured, tighten the hex nuts of each with a 1/2-inch wrench.
- 9. Fill the sandbag box with a minimum of 280 pounds (Example: four 70-pound sandbags). To fill the sandbag box correctly, put the weight on the bottom center bar.

# Accessories

This section provides instructions for the optional accessories available for the Fabric Booth. More information about Fabric Booth accessories can be found at [canvascraftinc.com](http://canvascraftinc.com).

## Sliding Window

The sliding window is designed to provide easy outside access while inside the Fabric Booth. Both the Large and Small Fabric Booths are pre-installed with one sliding window. Canvas Craft also offers an additional sliding window option.

The sliding window is pre-installed on the Fabric Booth but may eventually need replacing. Replacement windows are available through your local Home Depot® or by contacting Canvas Craft. It is recommended to order a replacement online from the Home Depot® website and have it shipped for free. You can contact Canvas Craft for more information.

Home Depot® Replacement Sliding Window Information:

- Name: TAFCO® WINDOWS 35.5 in. x 35.5 in. Utility Left-Hand Single Slider Vinyl Window Single Glass and Screen – White
- Internet: #100660078
- Model: #VUS3636OP
- Store: SKU #1000450208

## Replacement Sliding Window Installation

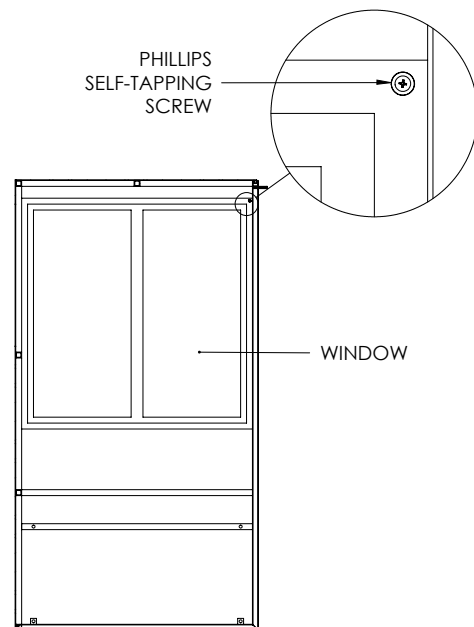
### Required Supplies:

1. Power Drill
2. Phillips Bit
3. Clear Packing Tape

1. Remove all screws from the perimeter of the sliding window on the inside the Fabric Booth.
2. Carefully remove the sliding window from the opening to the inside of the Fabric Booth.
3. Place the replacement sliding window in the opening from the inside of the booth. Take care to fold in any fabric between the window frame and the booth frame.

**NOTE:** It is recommended to use clear packing tape to hold the fabric in while inserting the window into the frame.

4. Re-install the self-tapping screws removed in step 1 into the perimeter of the replacement sliding window. Make sure that the mounting flange sits flush with the frame.

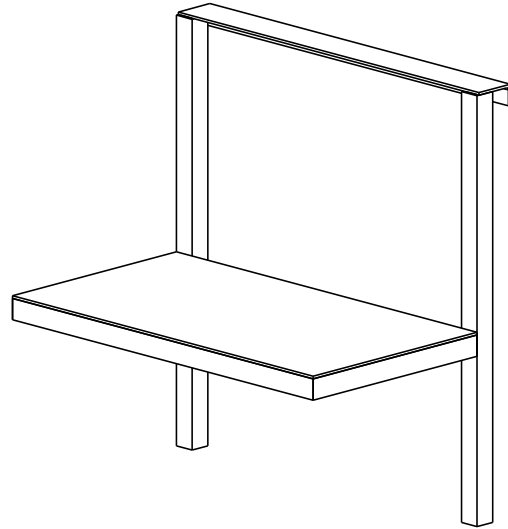


# Shelf

The Large Fabric Booth includes a 10-inch, built-in shelf. These instructions are for installing the optional 19.25-inch, removable shelf available for the Small Fabric Booth. The shelf can support up to 15 pounds. It is designed to keep equipment easily accessible for personnel.

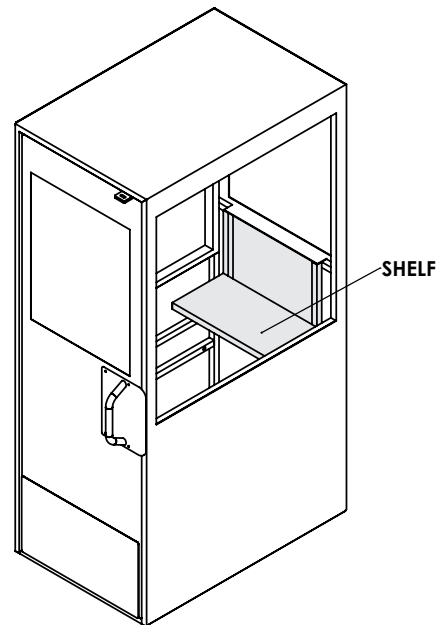
## Shelf Contents

PART NUMBER	DESCRIPTION	QUANTITY
17-0041-00-A	Shelf	1



## Shelf Installation

1. Hook the top bracket of the shelf over the top of the 1-inch square tube on wall opposite of the entrance door.



# AC Retrofit Kit

The Air Conditioner (AC) Retrofit Kit is an optional accessory designed to help keep the booth and personnel cool. The air conditioner is not included. Contact Canvas Craft for a list of recommended AC units.

PART NUMBER	DESCRIPTION	QUANTITY
AC RETROFIT FLAP	Vinyl Cover Flap with Loop Fastener	1
AC RETROFIT VELCRO 3M HOOK	1-Inch 3M™ PSA Hook Fastener	1

## AC Retrofit Kit Installation

### Required Supplies:

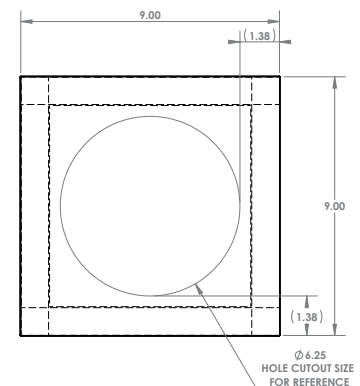
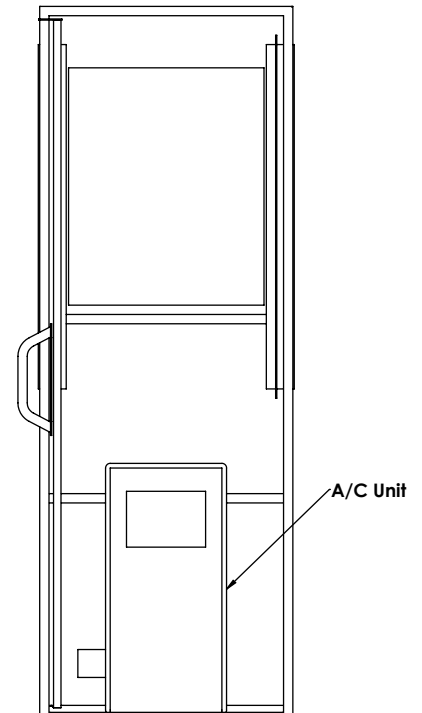
1. AC Unit
2. Marking Tool (Pencil, Marker, etc.)
3. Scissors
4. Razorblade

1. Place the user supplied AC unit in the Fabric Booth against the wall opposite of the door.
2. Trace the exhaust vent of the AC unit onto the interior wall of the Fabric Booth with a visible marker.
3. Cut a maximum 6¼-inch circle into booth fabric where you traced the exhaust vent.

**NOTE:** Placement of the AC port is approximate and will vary depending on the AC unit.

4. Align the edges of the provided 1-inch loop fastener to the provided vinyl cover flap. Sew the two materials together.
5. Fasten the 1-inch loop fastener to the provided 3M™ PSA hook fastener to make the AC port flap.
6. Remove the backing from the 3M™ PSA hook fastener.
7. Center the AC port flap over the circle cut in step 1. Apply firm pressure to the booth fabric to ensure adhesion.

**NOTE:** It is recommended to have one extra person pushing on the AC port from the inside of the booth to apply additional pressure.



# Maintenance

This section contains recommended preventative maintenance actions that will increase the longevity of the Fabric Booth.

- The Fabric Booth requires little maintenance. Shutting the windows and door when not in use helps keep the inside of the booth clean.
- The typical life expectancy of the fabric panels is 5+ years. The life expectancy can be longer if the Fabric Booth is stored indoors during the winter.
- Keeping the fabric clean is the best way to ensure years of use. Clean the fabric on a weekly basis. Use a high-quality, gentle soap and water solution with a cloth to clean the fabric. Canvas Craft recommends using Sprayway® Ammonia-Free Glass Cleaner or 303® Multi-Surface Cleaner to clean the booth's clear vinyl windows.
- Treating your fabric with a UV protectant can also increase the longevity of the product. Canvas Craft recommends 303® Aerospace Protectant.
- To repair minor tears or holes in the fabric, Canvas Craft offers repair kits on [canvascraftinc.com](http://canvascraftinc.com).
- Clean the sliding glass window with household glass cleaner as needed.
- If the window becomes damaged, it is a standard window. You can get a replacement at Home Depot®. More information about replacing the window can be found on page 11.

## **⚠ WARNING:**

- Do not use detergent or ammonia-based cleaners to clean the fabric. They can break the fabric down over time.

# Product Warranty

Canvas Craft, Inc. will provide a 1-year limited warranty for metal and fabric products. This warranty covers both labor and material provided by Canvas Craft, Inc.

This warranty does not cover damage due to misuse, negligence, vandalism, or acts of nature that include wind, hail, lightning, rain, or snow, but is not limited to these. Mechanical and any other consumable product will not be covered under any type of warranty.

Any fabric or mechanical parts that are provided or installed may have an additional warranty provided by the manufacturer. Canvas Craft, Inc. will supply any manufacturer warranties after the final payment is received and the product is paid for in full.

Canvas Craft reserves the right to modify equipment specifications without prior notice.

Small Fabric Booth US PATENT # D960.391

Large Fabric Booth Patent Pending



As always if you have any questions, please feel free to contact us @ 763-428-4325  
info@canvascraftinc.com | www.canvascraftinc.com



**Canvas Craft Inc**  
5781 Queens Ave NE, Otsego, MN 55311